

Electric boilers



A Norwegian quality product 

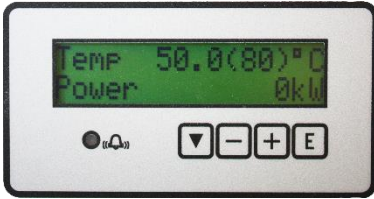
MB 35 – 150 kW

www.varmeteknikk.no

August 2020 V2

MB 35-150 kW

The boiler can be delivered for 35-150 kW @ 230, 400 or 690 V. Operating temperature is max 100 °C, and max pressure is 6 bar. The boiler is equipped with an electronic temperature regulator with 7 steps and temperature setting range 5 – 100 °C. A display is indicating temperature, power, steps etc.



7- step electronic regulator with option for remote control

For optimized economical operation, an outdoor temperature sensor may be connected (optionally) for weather compensated heat curve regulation. Integrated step limitation allow power limitation if needed.

Remote control/signals to SCADA

The boiler is prepared for remote control of temperature and power by 0-10 V signals. External start/stop and alarm signals are available on the terminal connector. Readouts of supply temperature, preset temperature and power are also available as 0–10 V signals.



Picture showing MB 150kW/400V

Notice:

- Boiler power may vary by +/-10 % due to heating element tolerances.
- Ensure 1 m. clearance over the boiler for service and replacement of elements.
- Connections of power cables are made directly onto copper bars with lugs (not supplied)

The boilers are CE marked

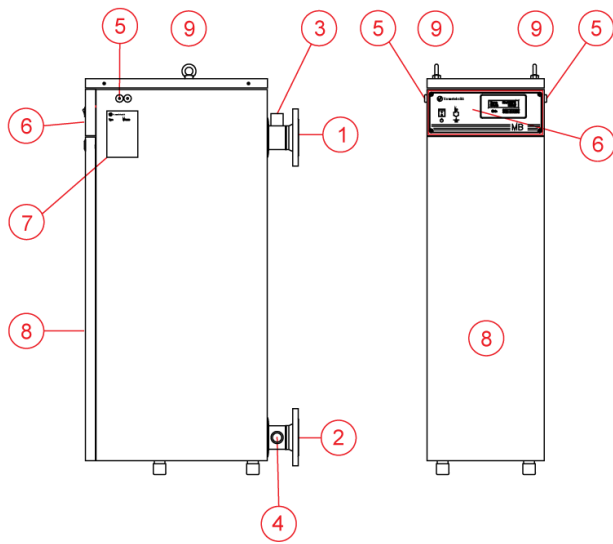
TYPE	kW	VOLTAGE 50 Hz 3-PHASE			AMP	REGULATION	DRY WEIGHT KG	WATER VOLUME	FLANGE SUPPLY/RETURN	DRAIN/ EXPANSION
		230 V	400 V	690 V						
MB 2035	35	●			88	7-step	130	75	DN 65/16	1"
MB 2045	45	●			113	7-step	130	75	DN 65/16	1"
MB 2060	60	●			151	7-step	135	75	DN 65/16	1"
MB 2075	75	●			188	7-step	135	75	DN 65/16	1"
MB 2090	90	●			226	7-step	140	75	DN 65/16	1"
MB 2105	105	●			264	7-step	140	75	DN 65/16	1"
MB 2120	120	●			301	7-step	145	75	DN 65/16	1"
MB 2140	140	●			351	7-step	145	75	DN 65/16	1"
MB 2150	150	●			377	7-step	150	75	DN 65/16	1"
MB 4035	35		●		51	7-step	130	75	DN 65/16	1"
MB 4045	45		●		65	7-step	130	75	DN 65/16	1"
MB 4060	60		●		87	7-step	135	75	DN 65/16	1"
MB 4075	75		●		108	7-step	135	75	DN 65/16	1"
MB 4090	90		●		130	7-step	140	75	DN 65/16	1"
MB 4105	105		●		152	7-step	140	75	DN 65/16	1"
MB 4120	120		●		173	7-step	145	75	DN 65/16	1"
MB 4140	140		●		202	7-step	145	75	DN 65/16	1"
MB 4150	150		●		217	7-step	150	75	DN 65/16	1"
MB 6035	35			●	29	7-step	130	75	DN 65/16	1"
MB 6045	45			●	38	7-step	130	75	DN 65/16	1"
MB 6060	60			●	50	7-step	135	75	DN 65/16	1"
MB 6075	75			●	63	7-step	135	75	DN 65/16	1"
MB 6090	90			●	75	7-step	140	75	DN 65/16	1"
MB 6105	105			●	88	7-step	140	75	DN 65/16	1"
MB 6120	120			●	100	7-step	145	75	DN 65/16	1"
MB 6140	140			●	117	7-step	145	75	DN 65/16	1"
MB 6150	150			●	126	7-step	150	75	DN 65/16	1"

Current regulations for safety and electrical systems must always be followed!



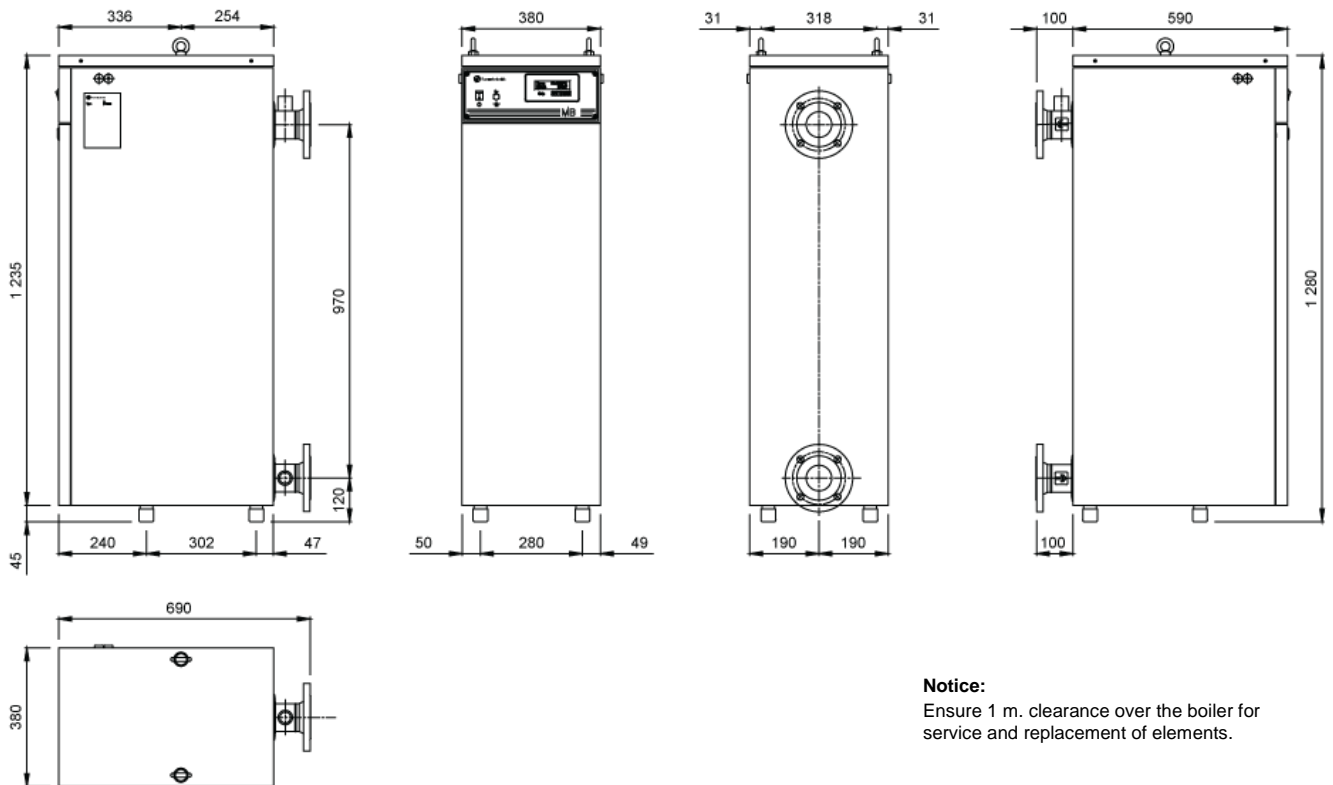
e-boilers up to 60 kW are marked accordingly to Directive 2012/27/EU on energy efficiency





1. Hydraulic outlet DN65 PN16
2. Hydraulic inlet DN65 PN16
3. 1" muff for venting/safety valve
4. 1" muff for drain/expansion
5. Cable inlets for control voltage/signals
6. Control panel
7. Type plate
8. Door
9. Lifting eye/hook

All dimensions in mm.



Notice:
Ensure 1 m. clearance over the boiler for service and replacement of elements.