

ZANTINGH ROOKGASCONDENSOR



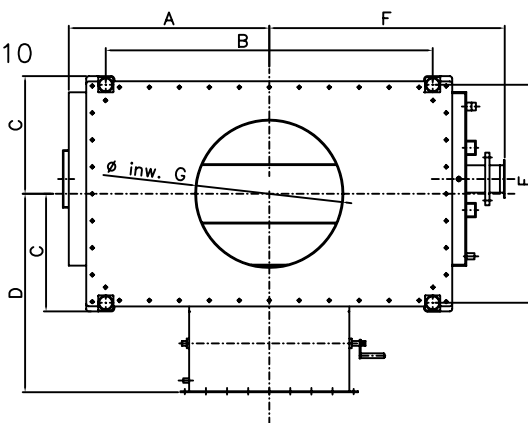
Maten in mm

| Type: | A | B | C | D | E | F | G | H | I | J | K | L | M1xM2 | N1xN2 | NW/PN10 |
|----------|------|------|-----|------|------|------|-----|------|-----|------|------|-----|-----------|----------|---------|
| ZRC 0,5 | 480 | 649 | 341 | 579 | 610 | 625 | 310 | 1294 | 466 | 828 | 820 | 225 | 540x540 | 460x460 | 50 |
| ZRC 0,75 | 600 | 889 | 341 | 579 | 610 | 745 | 310 | 1294 | 466 | 828 | 820 | 225 | 540x540 | 460x460 | 50 |
| ZRC 1.0 | 836 | 1364 | 281 | 519 | 490 | 982 | 360 | 1394 | 446 | 948 | 740 | 405 | 540x540 | 460x460 | 65 |
| ZRC 1.5 | 836 | 1364 | 311 | 549 | 550 | 982 | 360 | 1514 | 446 | 1068 | 740 | 525 | 540x540 | 460x460 | 65 |
| ZRC 2.0 | 836 | 1364 | 341 | 578 | 609 | 982 | 460 | 1654 | 516 | 1138 | 820 | 585 | 640x640 | 560x560 | 80 |
| ZRC 2.5 | 836 | 1364 | 401 | 638 | 729 | 982 | 510 | 1654 | 516 | 1138 | 820 | 585 | 640x640 | 560x560 | 80 |
| ZRC 3.0 | 836 | 1364 | 461 | 798 | 850 | 982 | 610 | 1714 | 561 | 1153 | 880 | 585 | 740x740 | 660x660 | 100 |
| ZRC 4.0 | 836 | 1364 | 491 | 828 | 909 | 982 | 610 | 1774 | 561 | 1213 | 880 | 645 | 740x740 | 660x660 | 100 |
| ZRC 5.0 | 1165 | 1804 | 491 | 908 | 908 | 1302 | 710 | 1854 | 626 | 1228 | 960 | 645 | 870x870 | 790x790 | 125 |
| ZRC 6.0 | 1165 | 1804 | 521 | 938 | 969 | 1319 | 710 | 1854 | 626 | 1228 | 960 | 645 | 870x870 | 790x790 | 125 |
| ZRC 7.0 | 1187 | 1804 | 596 | 1099 | 1119 | 1319 | 760 | 1934 | 665 | 1269 | 990 | 680 | 970x970 | 890x890 | 150 |
| ZRC 8.0 | 1247 | 1804 | 656 | 1159 | 1239 | 1373 | 760 | 1934 | 665 | 1269 | 990 | 680 | 970x970 | 890x890 | 150 |
| ZRC 9.0 | 1412 | 2195 | 626 | 1169 | 1179 | 1572 | 810 | 2034 | 715 | 1319 | 1090 | 680 | 1070x1070 | 990x990 | 150 |
| ZRC 10.0 | 1412 | 2195 | 656 | 1229 | 1239 | 1572 | 810 | 2034 | 715 | 1319 | 1090 | 680 | 1070x1070 | 990x990 | 150 |
| ZRC 12.0 | 1442 | 2195 | 740 | 1319 | 1479 | 1572 | 910 | 2034 | 715 | 1319 | 1130 | 600 | 1070x1270 | 990x1190 | 200 |

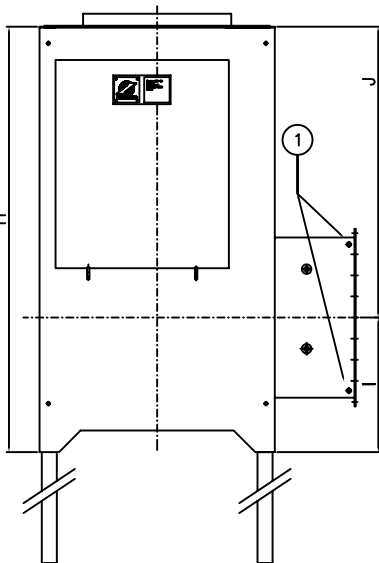
Wijzigingen in maatvoeringen voorbehouden
07-1-2009V6

- ① Meetpunt 1/4"
- ② Condensafvoer 2"
- ③ Overschuifflens alu. ND10
- ④ Rookgasthermometer
- ⑤ Ontluchter 1/4"
- ⑥ Overstortventiel
- ⑦ Aftap 1/2"
- ⑧ Drukschakelaar
- ⑨ Eindschakelaar
- ⑩ Klepbediening
- ⑪ Aansluitdoos
- ⑫ Waterthermometer
- ⑬ Maximaal thermostaat
- ⑭ Inspectieluik

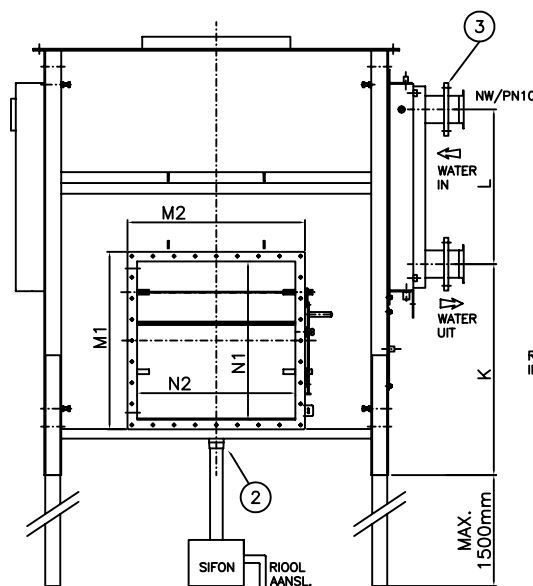
Bovenaanzicht.



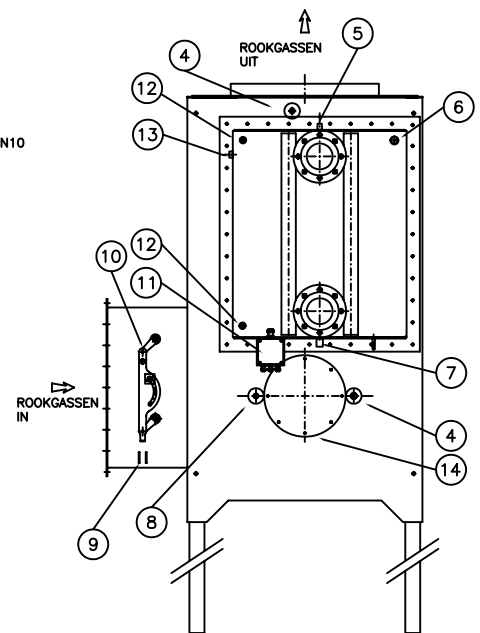
Materiaal: RVS 304.
Afwerking: Glasporelen.
Uitvoering: Standaard rechts.



Linker zijaanzicht.



Vooranzicht.



Rechter zijaanzicht.