

# ZANTINGH FLUEGASCONDENSER



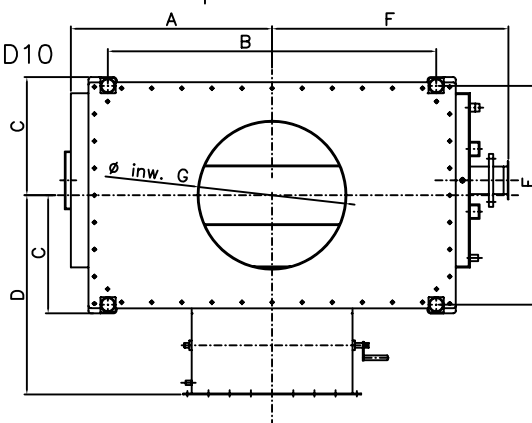
Dimensions in mm

Type:	A	B	C	D	E	F	G	H	I	J	K	L	M1xM2	N1xN2	NW/PN10
ZRC 0,5	480	649	341	579	610	625	310	1294	466	828	820	225	540x540	460x460	50
ZRC 0,75	600	889	341	579	610	745	310	1294	466	828	820	225	540x540	460x460	50
ZRC 1.0	836	1364	281	519	490	982	360	1394	446	948	740	405	540x540	460x460	65
ZRC 1.5	836	1364	311	549	550	982	360	1514	446	1068	740	525	540x540	460x460	65
ZRC 2.0	836	1364	341	578	609	982	460	1654	516	1138	820	585	640x640	560x560	80
ZRC 2.5	836	1364	401	638	729	982	510	1654	516	1138	820	585	640x640	560x560	80
ZRC 3.0	836	1364	461	798	850	982	610	1714	561	1153	880	585	740x740	660x660	100
ZRC 4.0	836	1364	491	828	909	982	610	1774	561	1213	880	645	740x740	660x660	100
ZRC 5.0	1165	1804	491	908	908	1302	710	1854	626	1228	960	645	870x870	790x790	125
ZRC 6.0	1165	1804	521	938	969	1319	710	1854	626	1228	960	645	870x870	790x790	125
ZRC 7.0	1187	1804	596	1099	1119	1319	760	1934	665	1269	990	680	970x970	890x890	150
ZRC 8.0	1247	1804	656	1159	1239	1373	760	1934	665	1269	990	680	970x970	890x890	150
ZRC 9.0	1412	2195	626	1169	1179	1572	810	2034	715	1319	1090	680	1070x1070	990x990	150
ZRC 10.0	1412	2195	656	1229	1239	1572	810	2034	715	1319	1090	680	1070x1070	990x990	150
ZRC 12.0	1442	2195	740	1319	1479	1572	910	2034	715	1319	1130	600	1070x1270	990x1190	200

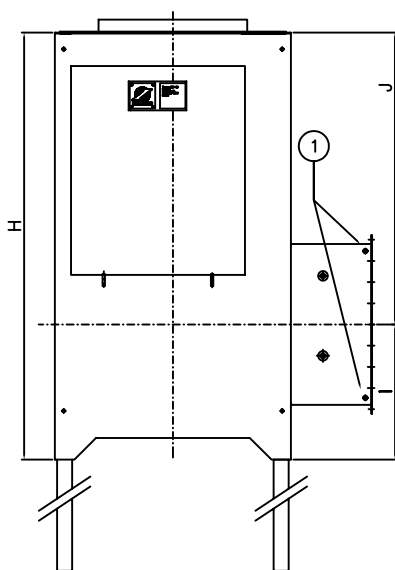
Subject to change  
07-1-2009V6

- ① Measuring point 1/4"
- ② Condensate drain 2"
- ③ Push-on flange alum. ND10
- ④ Fluegas thermometer
- ⑤ De-aerator 1/4"
- ⑥ Overflow valve
- ⑦ Drain 1/2"
- ⑧ Pressure switch
- ⑨ Limit switch
- ⑩ Valve section lever
- ⑪ Junction box
- ⑫ Water thermometer
- ⑬ Maximal thermostat
- ⑭ Inspection cover

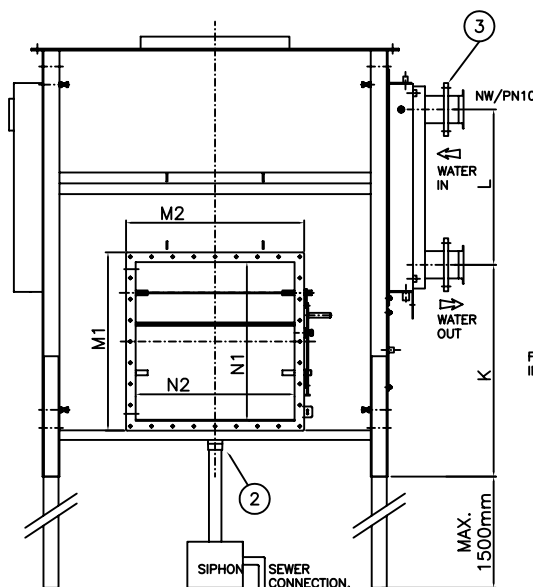
Top view.



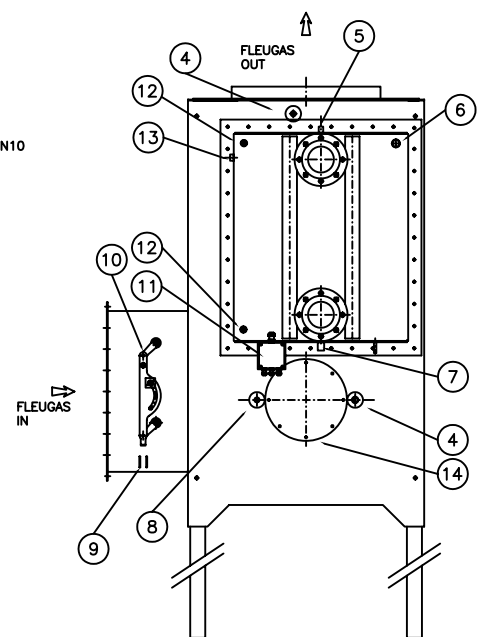
Material: STAINLESS STEEL 304.  
Finishing: Glaspeared  
Design: Standard right side.



Left side view.



Front view.



Right side view.