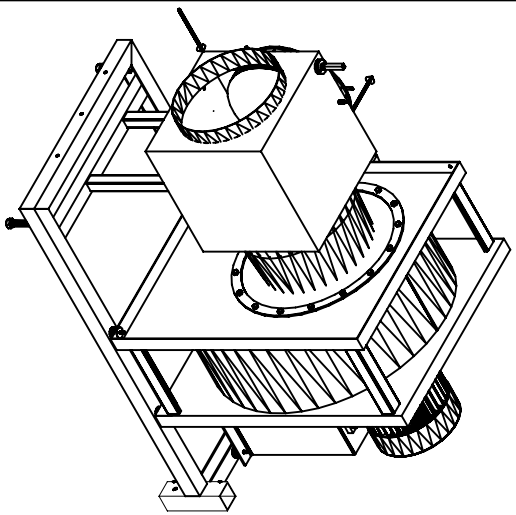
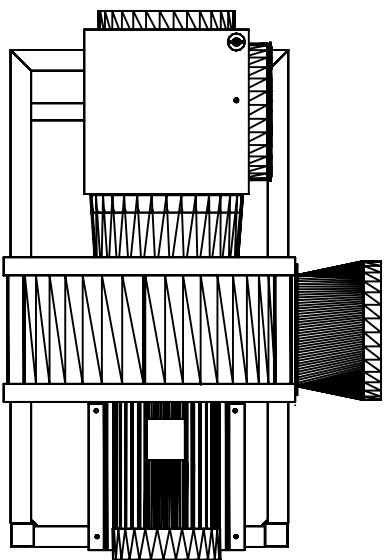


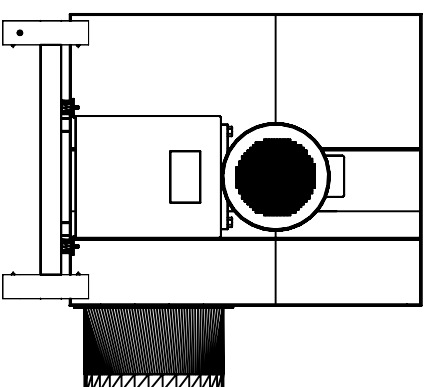
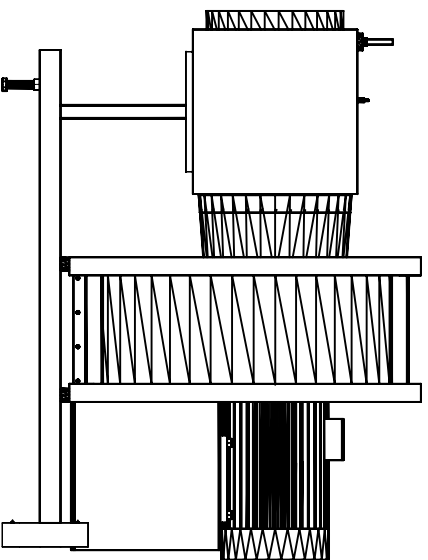
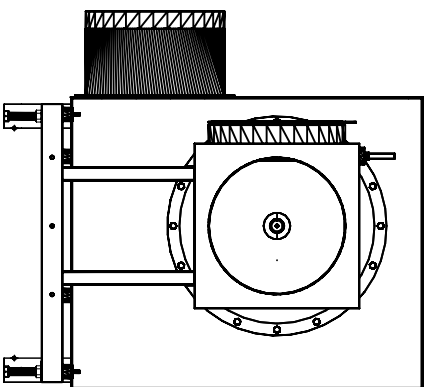
FAN POSITION 1L



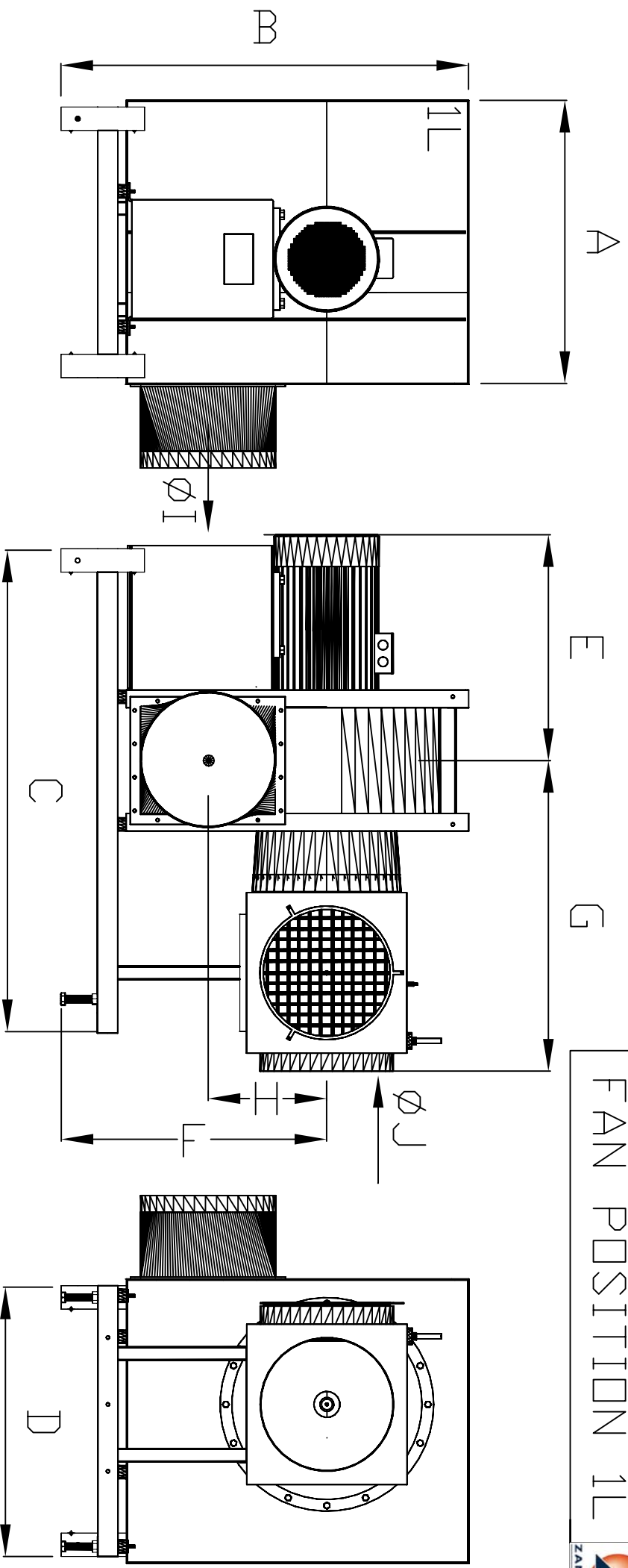
IN



OUT



FAN POSITION 1L



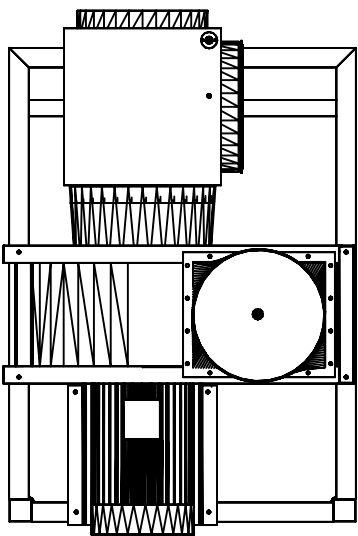
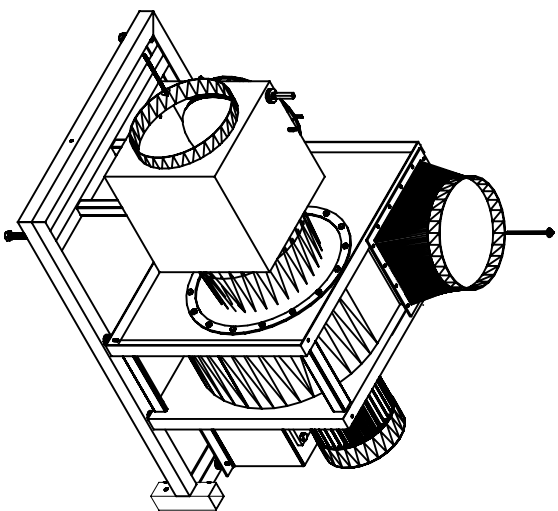
Ventilator type kW	Position	Iec	A	B	C	D	E	F	G	H	I	J
2,2	1L	90	715	1030	1015,5	675	392	675	754,5	305	315	300
3,0	1L	100	715	1030	1015,5	675	392	675	754,5	305	315	300
4,0	1L	112	780	1075	1039,5	720	445	700	766,5	314	315	300
5,5	1L	132	780	1075	1104,5	720	543	700	766,5	314	315	300
7,5	1L	132	850	1225	1131,5	810	556,5	800	780,0	397	315	300
11,0	1L	160	850	1225	1448,5	810	675,5	800	929,0	356	400	400
15 - 18,5	1L	160	1018	1340	1572,5	978	827	840	948,5	360,5	500	500
22,0	1L	180	1018	1340	1572,5	978	760	840	948,5	360,5	500	500
30,0	1L	200	1127	1470	1750,5	1087	906,5	910	1070,0	401,5	500	500

Specifications and dimensions represent the state of engineering at the time of printing. Modifications may take place without prior notice.

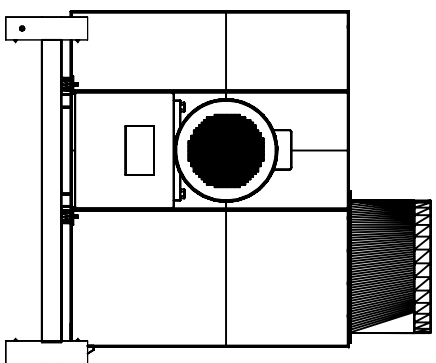
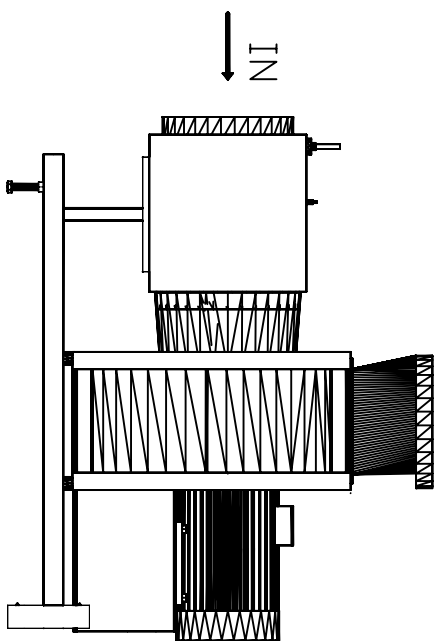
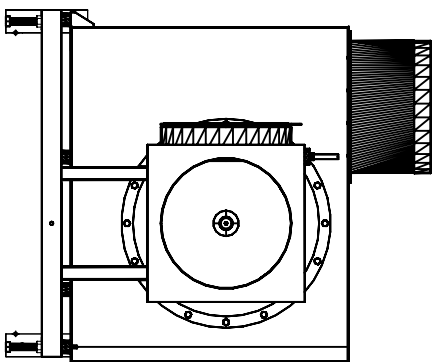
FAN POSITION 2L



ZANTINGH



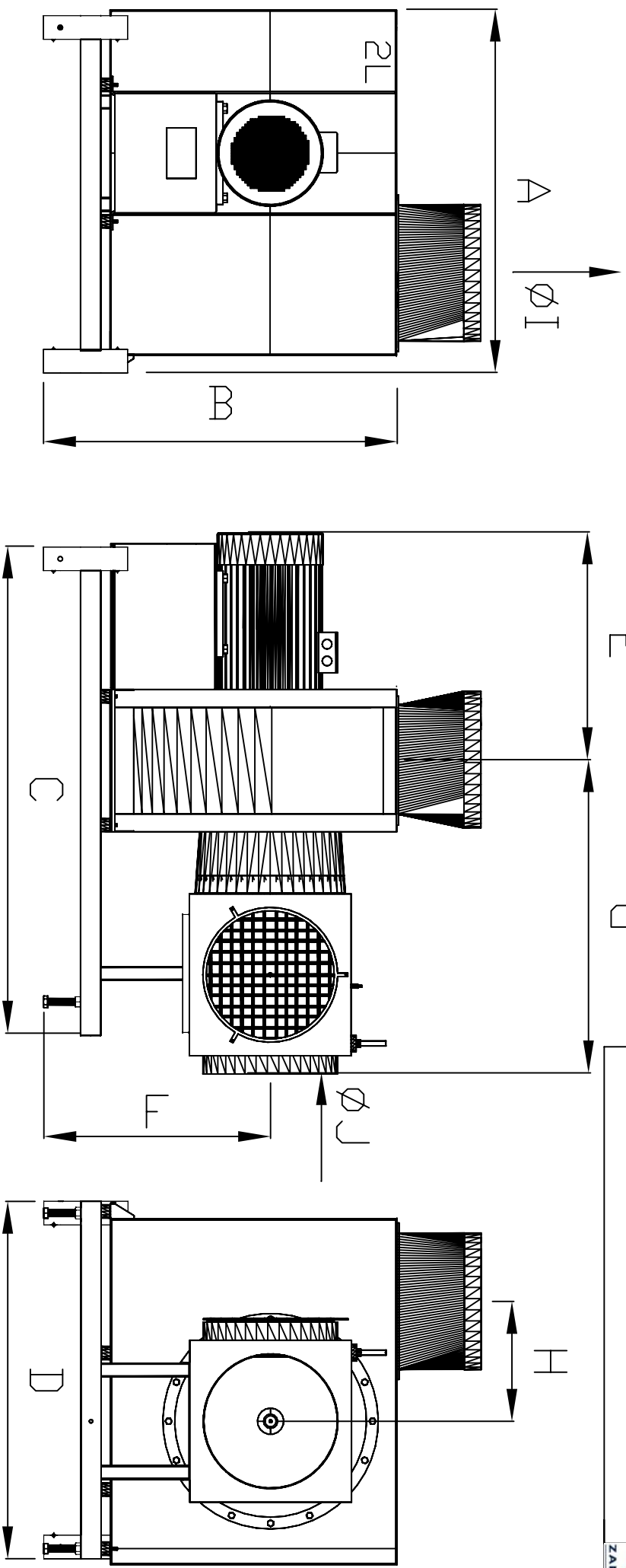
↑
OUT



MINOX

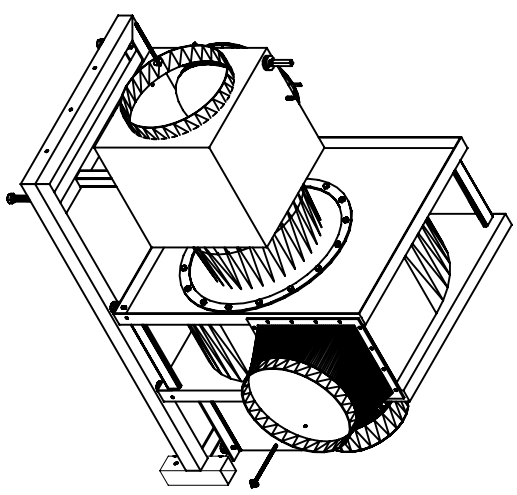
Specifications and dimensions represent the state of engineering at the time of printing. Modifications may take place without prior notice.

FAN POSITION 2L

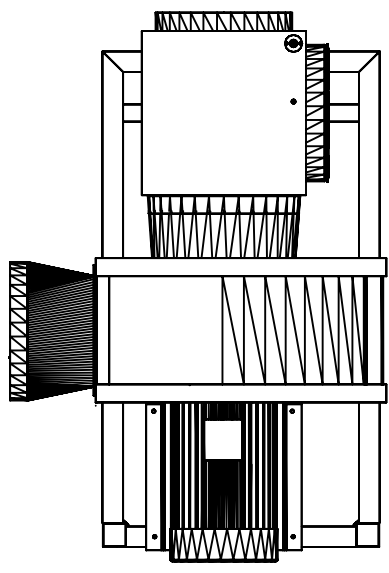


Ventilator type kW	Position	Iec	A	B	C	D	E	F	G	H	I	J
2,2	2L	90	880	915	1015,5	865	392	600	754,5	305	315	300
3,0	2L	100	880	915	1015,5	865	392	600	754,5	305	315	300
4,0	2L	112	925	980	1039,5	910	445	625	766,5	314	315	300
5,5	2L	132	925	980	1104,5	910	543	625	766,5	314	315	300
7,5	2L	132	1075	1050	1131,5	1060	556,5	675	780,0	397	315	300
11,0	2L	160	1075	1050	1448,5	1060	675,5	675	929,0	356	400	400
15 - 18,5	2L	160	1190	1218	1572,5	1175	827	760	948,5	360,5	500	500
22,0	2L	180	1190	1218	1572,5	1175	760	760	948,5	360,5	500	500
30,0	2L	200	1320	1327	1750,5	1305	906,5	830	1070,0	401,5	500	500

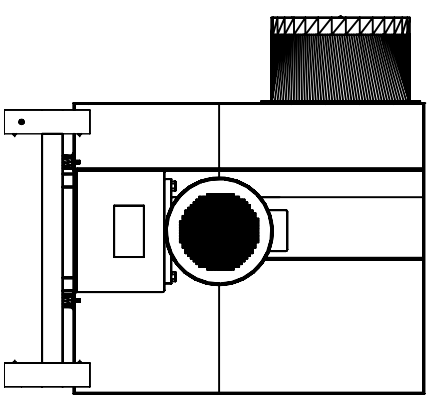
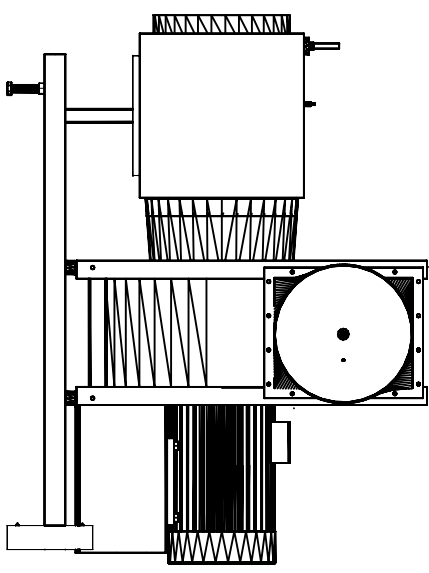
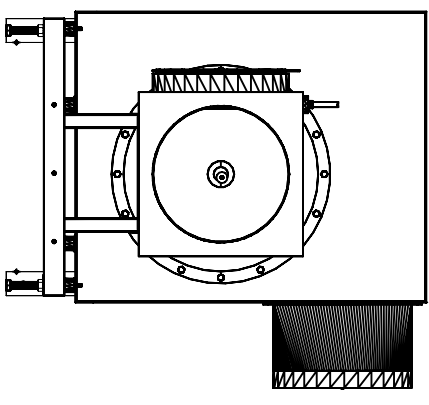
Specifications and dimensions represent the state of engineering at the time of printing. Modifications may take place without prior notice.



IN

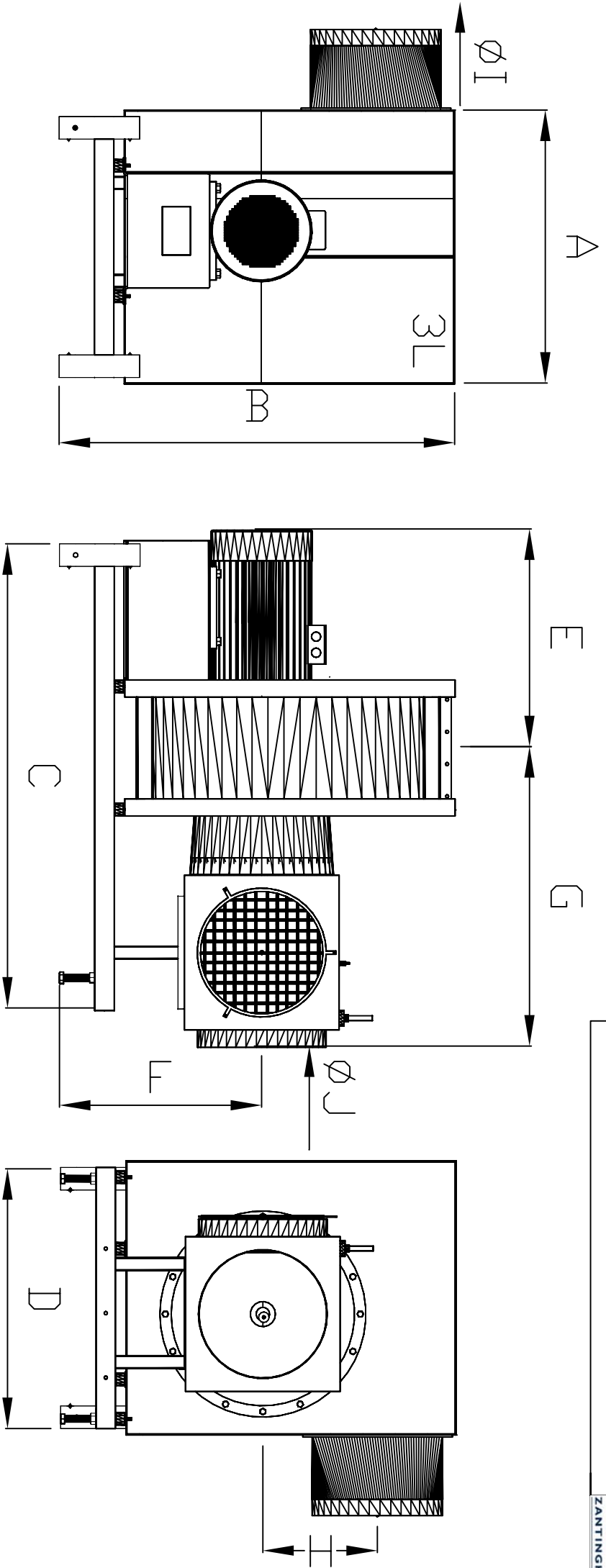


OUT



Specifications and dimensions represent the state of engineering at the time of printing. Modifications may take place without prior notice.

FAN POSITION 3L



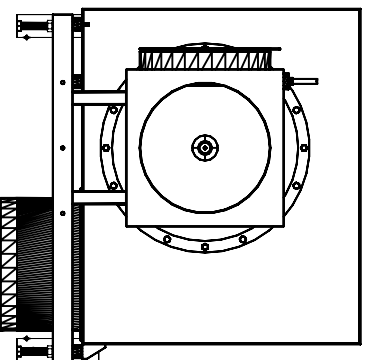
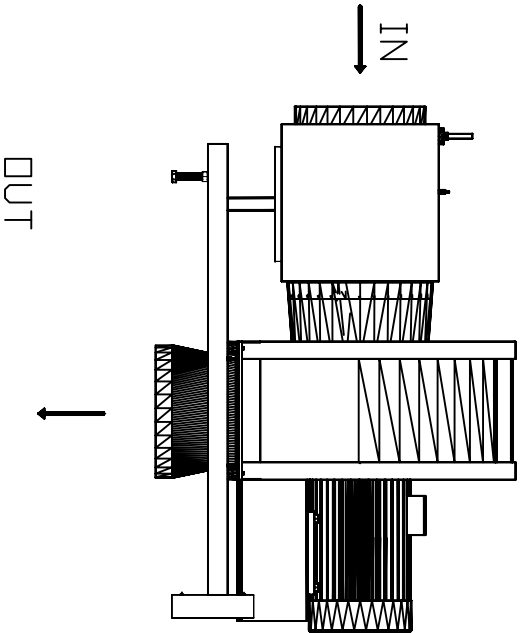
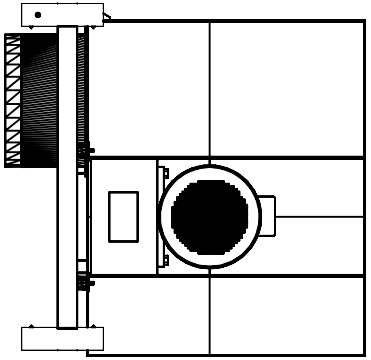
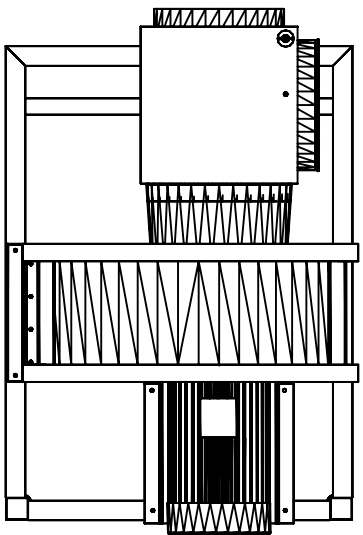
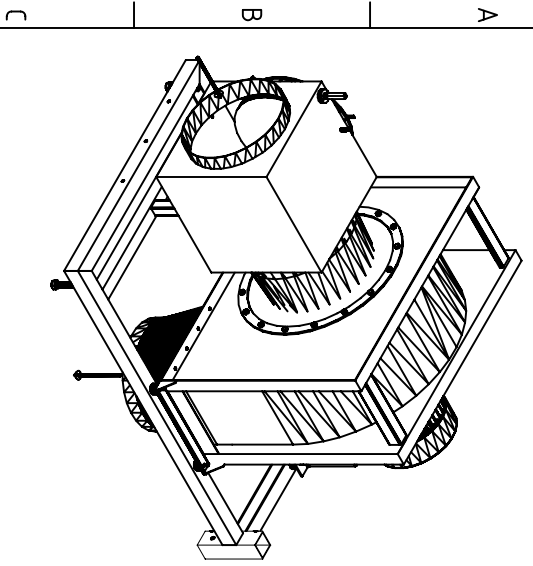
Ventilator type kW	Position	lec	A	B	C	D	E	F	G	H	I	J
2,2	3L	90	715	1030	1015,5	675	392	555	754,5	305	315	300
3,0	3L	100	715	1030	1015,5	675	392	555	754,5	305	315	300
4,0	3L	112	780	1075	1039,5	720	445	575	766,5	314	315	300
5,5	3L	132	780	1075	1104,5	720	543	575	766,5	314	315	300
7,5	3L	132	850	1225	1131,5	810	556,5	625	780,0	397	315	300
11,0	3L	160	850	1225	1448,5	810	675,5	625	929,0	356	400	400
15 - 18,5	3L	160	1018	1340	1572,5	978	827	700	948,5	360,5	500	500
22,0	3L	180	1018	1340	1572,5	978	760	700	948,5	360,5	500	500
30,0	3L	200	1127	1470	1750,5	1087	906,5	760	1070,0	401,5	500	500

Specifications and dimensions represent the state of engineering at the time of printing. Modifications may take place without prior notice.

FAN POSITION 4L



A



E
MARK

1

2

3

4



1

2

3

4

5

6

7

8

Specifications and dimensions represent the state of engineering at the time of printing. Modifications may take place without prior notice.

DIRECTORY-PAD:

E

D

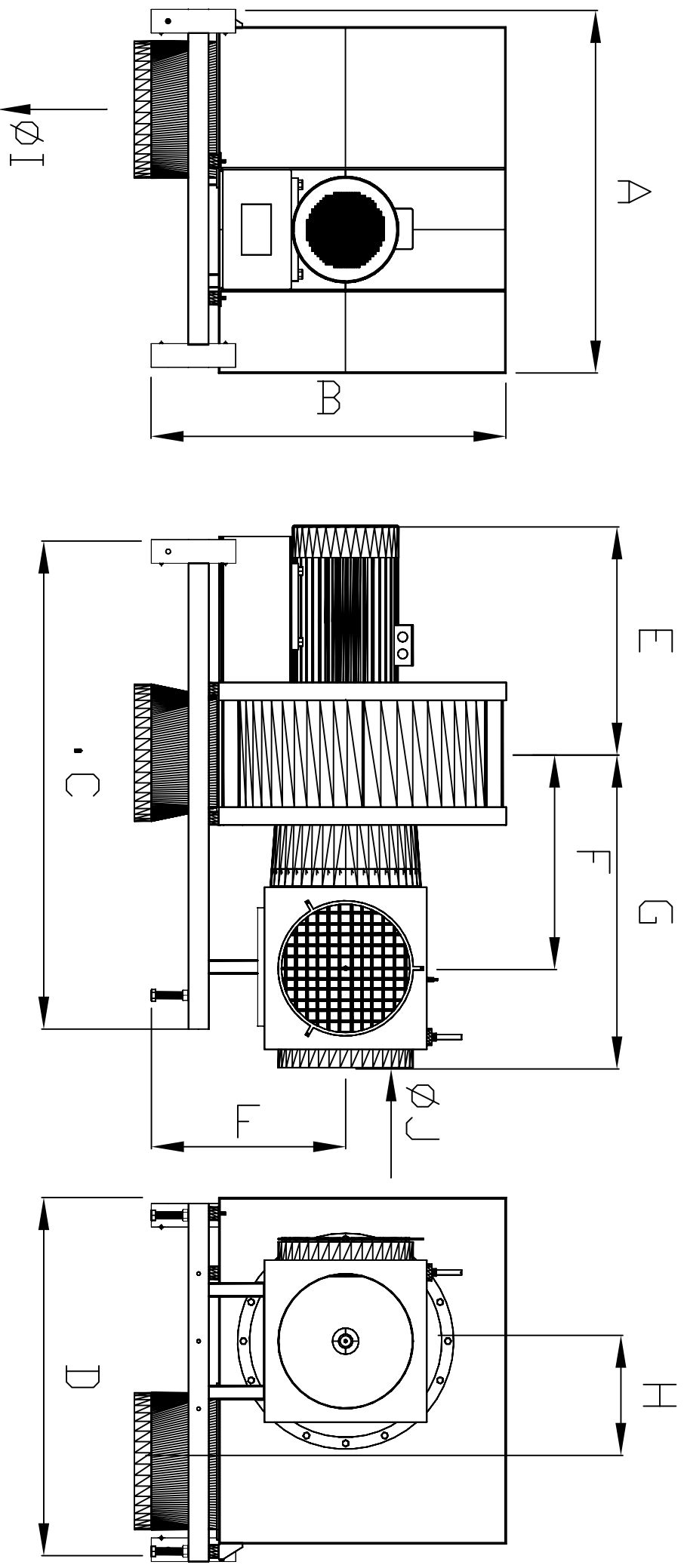


C

B

A

FAN POSITION 4L



Ventilator type kW	Position	Iec	A	B	C	D	E	F	G	H	I	J
2,2	4L	90	880	915	1015,5	865	392	515	754,5	305	315	300
3,0	4L	100	880	915	1015,5	865	392	515	754,5	305	315	300
4,0	4L	112	925	980	1039,5	910	445	555	766,5	314	315	300
5,5	4L	132	925	980	1104,5	910	543	555	766,5	314	315	300
7,5	4L	132	1075	1050	1131,5	1060	556,5	575	780,0	397	315	300
11,0	4L	160	1075	1050	1448,5	1060	675,5	575	929,0	356	400	400
15 - 18,5	4L	160	1190	1218	1572,5	1175	827	658	948,5	360,5	500	500
22,0	4L	180	1190	1218	1572,5	1175	760	658	948,5	360,5	500	500
30,0	4L	200	1320	1327	1750,5	1305	906,5	697	1070,0	401,5	500	500

Specifications and dimensions represent the state of engineering at the time of printing. Modifications may take place without prior notice.